



# Installation Instructions

Accessories, Wind Deflector

Page 1 of 3  
November 2009  
Ver 1.0 Accessory  
Development

---

## **SUBJECT**

**WIND DEFLECTOR - P/N 54 34 7 200 808**

## **MODEL**

Z4 (E89): Select Vehicle Production 03/2009 – On\*

**SUGGESTED INSTALLATION TIME: 0.5 HOURS**

*Total installation time may vary depending on vehicle options and equipment.*

The instructions below are developed for BMW vehicles and are not to be compared to any other existing instructions for vehicles other than BMW. No methods other than those specified in this document are to be used for installation in BMW vehicles. Left and right are determined from the driver's seat.

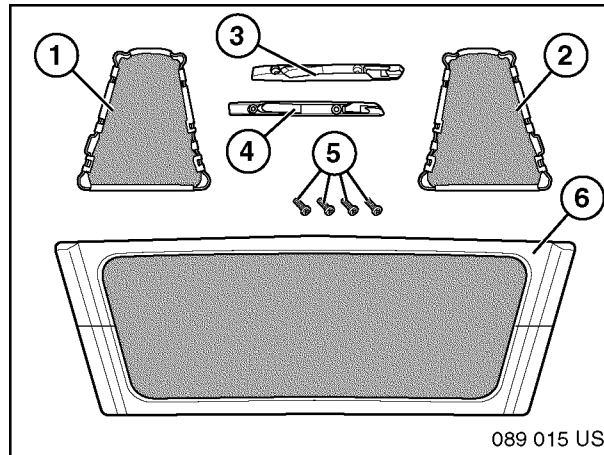
Carefully read all instructions and supplements before proceeding with the installation. Reference should be made to TIS for instructions dealing with a stock part of the vehicle but not stated in detail in these instructions.

The instructions were complete and up to date at time of publication; however, changes to the vehicle or installation may have occurred. Please report any problems or changes noted with the installation to BMW Technical Hotline, along with VIN, date of manufacture and as much detail as possible.

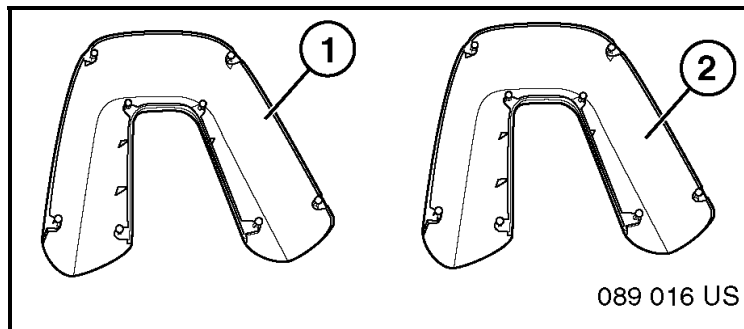
**★ ★ DO IT RIGHT THE FIRST TIME, ON TIME, EVERY TIME ★ ★**

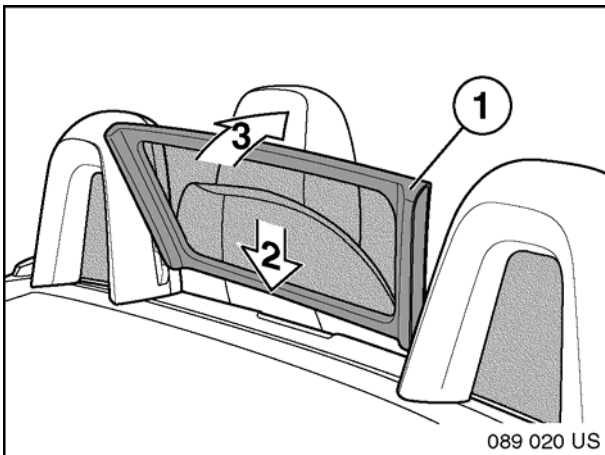
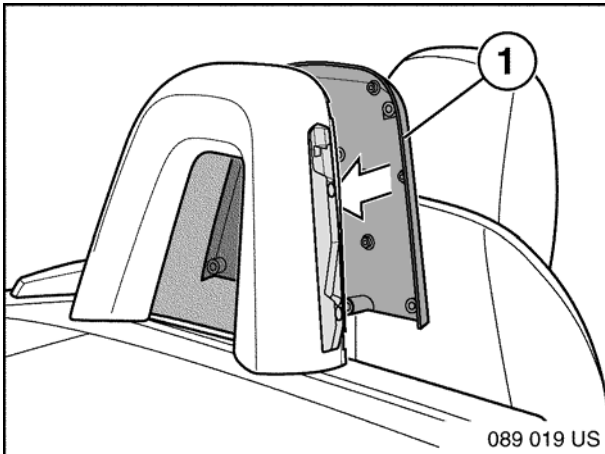
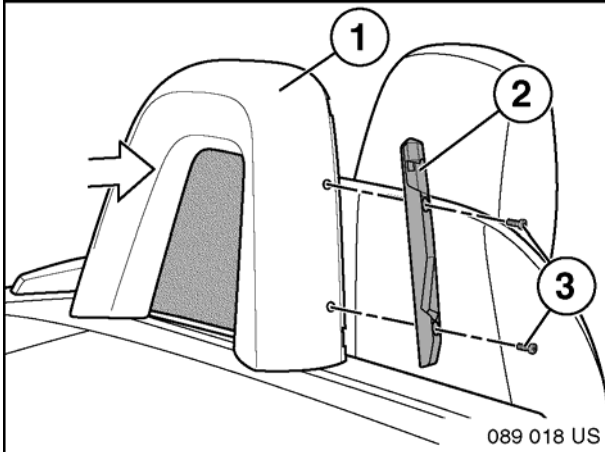
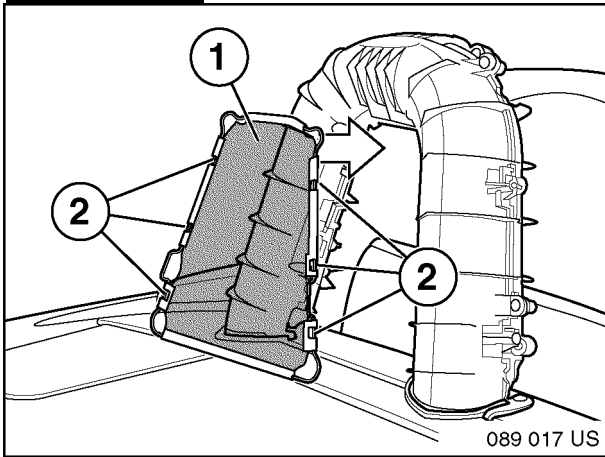
**PARTS INFORMATION****Contents of Kit - P/N 54 34 7 200 808**

<b>Ref.</b>	<b>Description</b>	<b>Qty</b>	<b>BMW Part Number</b>
1	Wind Screen (Left)	1	N/A
2	Wind Screen (Right)	1	N/A
3	Center Screen Guide (Left)	1	N/A
4	Center Screen Guide (Right)	1	N/A
5	Screw	4	N/A
6	Center Screen	1	N/A

**ADDITIONAL REQUIRED PARTS**

<b>Ref.</b>	<b>Description</b>	<b>BMW Part Number</b>
1	Roll Over Protection Cover (Left)	51 43 9 128 411
2	Roll Over Protection Cover (Right)	51 43 9 128 412



**PROCEDURE:**

1. Remove the roll over covers from the roll over bar per RA 514 30 30.

**Note: If vehicle is equipped with clothing hook, remove hooks before installing kit.**

2. Install the screen (1) into the roll over bar. Ensure that the tabs (2) are engaged with the clips in the roll over bars.

3. Install the rear roll over cover (1) into place by snapping it together with the roll over bar.

4. Install the center screen guide (2) and using supplied screws (3) to screw into place.

**Note: There is a left and a right side guide.**

5. Reinstall the front roll over cover (1) into place by snapping it together with the rear cover.

6. Repeat steps 1 through 5 for the other side.

7. Install center screen.

**Installation Complete**