



E 36/7 BEVERAGE HOLDER INSTALLATION INSTRUCTIONS

PART NUMBER 51 16 8 413 622

These instructions have been prepared specifically for BMW vehicles. No methods other than those specified in these instructions are to be used to install the E 36/7 Beverage Holder.

Carefully read all instructions before proceeding with this installation. Those instructions dealing with a stock part number of the vehicle but not stated in detail, should be referenced with the latest BMW Repair Manual, ETM, or microfiche. Left and right are determined from the driver's seat.

PRE-INSTALLATION NOTES

Remove existing center console accessories.

REMOVAL OF A CONSOLE VALET

Refer to Figure 1 for the below procedure.

1. Remove trim cap located in small rectangular well at the rear of the console valet.
2. Detach hand brake "boot" to gain access to console valet fastener located under console.
3. Remove socket head cap screw and locknut.
4. Carefully lift rear of console valet and pull rearward to dismount forward positioning tabs of the console valet.

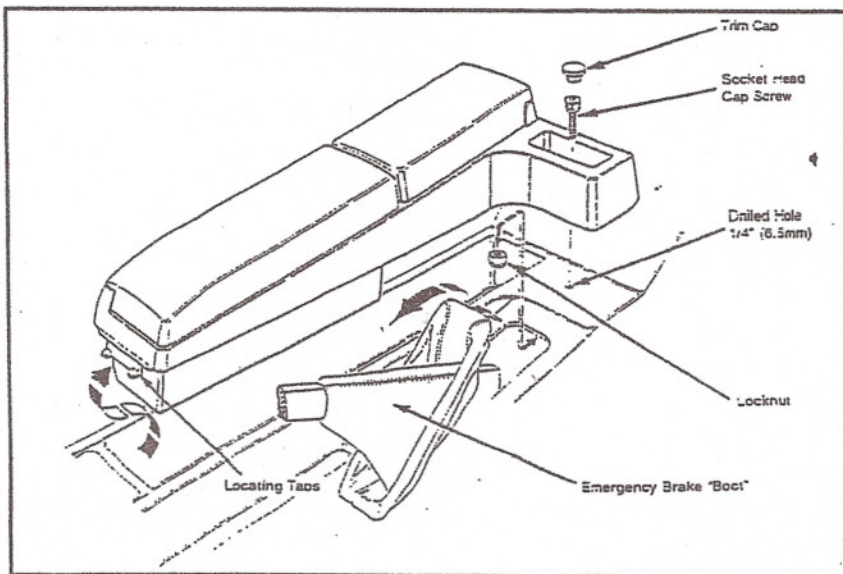


FIGURE 1.

REMOVAL OF CASSETTE HOLDER AND UTILITY TRAY (Refer to Figure 2.)

1. Pull up on front edge of cassette holder and remove from center console.
2. Remove front cassette holder bracket and rear cassette holder bracket by removing the two Phillips head screws.
3. Remove the utility tray from the console by pushing forward on the back wall of tray to release the retaining tab.

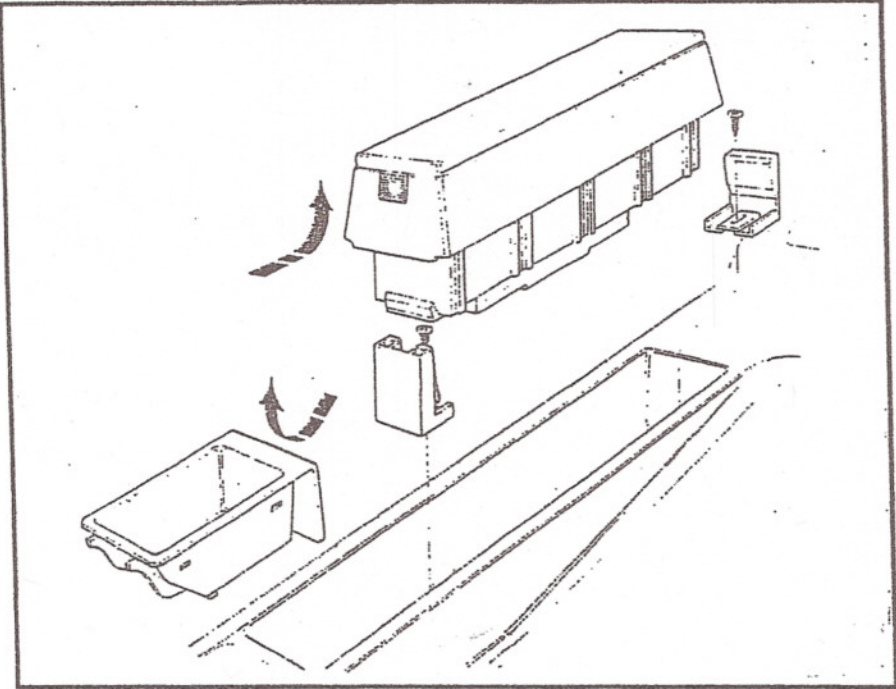


FIGURE 2.

INSTALLING THE E36/7 BEVERAGE HOLDER

Refer to Figures 3 through 6 for the following procedure

1. Install a speed clip (part number 1 949 950) as shown in Figure 3. (Note: speed clip may be previously installed depending on accessory removed.)
2. Install the beverage holder as shown in Figure 4. Ensure the small tab on the front of the beverage holder engages the opening in the console. To do this insert the front of the beverage holder first and move as far forward on the console as possible. Then lower the rear of the beverage holder.
3. Insert a Phillips head screw (part number 9 907 948) and tighten snug as shown in Figure 5.
4. Insert the carpet pad as shown in Figure 6. Installation is complete.

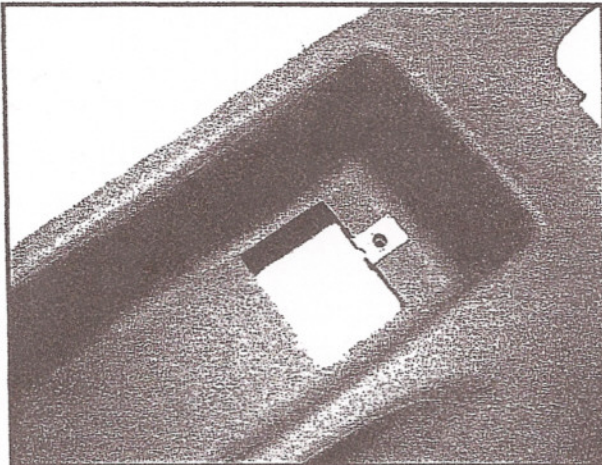


Figure 3

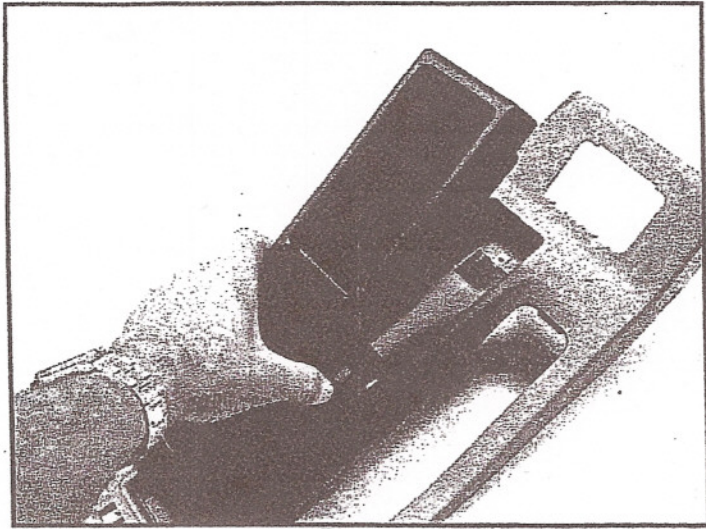


Figure 4

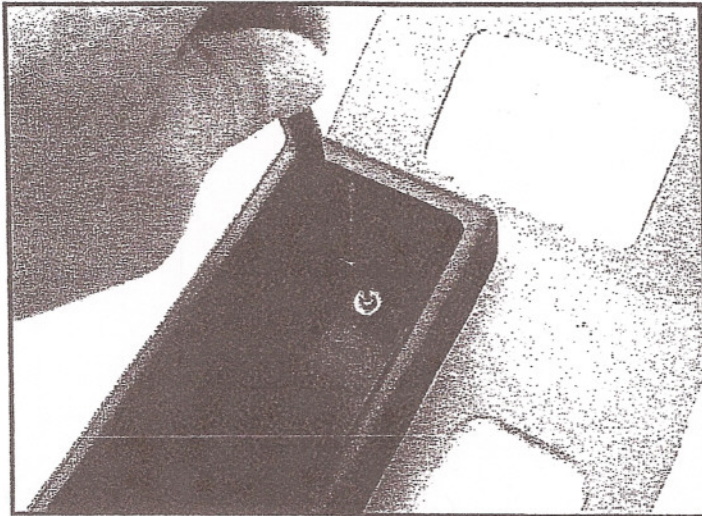


Figure 5

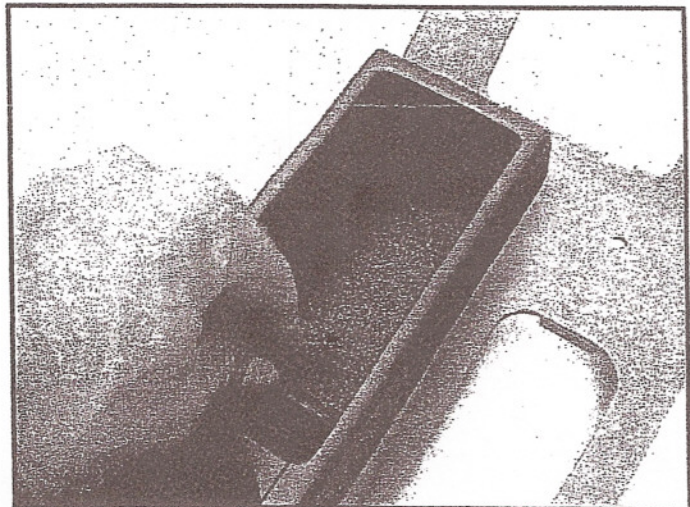


Figure 6